



## Gable Fan

### MODEL: GF1200N, GF900N

#### IMPORTANT SAFETY INSTRUCTIONS

**WARNING:** TO REDUCE THE RISK OF FIRE, ELECTRIC SHOCK, OR INJURY TO PERSONS, OBSERVE THE FOLLOWING:

- (A) Use this unit only in the manner intended by the manufacturer. If you have questions, contact the manufacturer.
- (B) Before servicing or cleaning unit, switch power off at service panel and lock service panel to prevent power from being switched on accidentally.

When the service disconnecting means cannot be locked, securely fasten a prominent warning device, such as a tag, to the service panel.

**CAUTION:** For general ventilating use only. Do not use to exhaust hazardous or explosive materials and vapors.

**CAUTION:** This unit has an unguarded impeller. Do not use in locations readily accessible to people or animals.

#### INSTALLATION INSTRUCTIONS

**WARNING:** TO REDUCE THE RISK OF FIRE, ELECTRIC SHOCK, OR INJURY TO PERSONS, OBSERVE THE FOLLOWING:

- (A) Installation work and electrical wiring must be done by qualified person(s) in accordance with all applicable codes and standards, including fire-rated construction.
- (B) Sufficient air is needed for proper combustion and exhausting of gases through the flue (chimney) of fuel burning equipment to prevent back drafting. Follow the heating equipment manufacturer's guideline and safety standards such as those published by the National Fire Protection Association (NFPA), and the American Society for Heating, Refrigeration, and Air Conditioning Engineers (ASHRAE), and the local code authorities.
- (C) When cutting or drilling into wall or ceiling, do not damage electrical wiring and other hidden utilities.
- (D) Ducted fans must always be vented to the outdoors.
- (E) NEVER place a switch where it can be reached from a tub or shower enclosure.

- **READ INSTRUCTIONS CAREFULLY BEFORE PROCEEDING.**
- **WARNING:** To reduce the risk of fire or shock do not use with solid state speed control.
- This fan is intended for installation behind existing attic louvers.

**SPECIFICATIONS:** Thermally protected motor operates on 115vAC, 60 cycle. Large 14" fan blade, 15 inch diameter shroud.

#### ASSEMBLING THE UNIT

Refer to Figure 1.

Using provided hardware attach the mounting brackets to the unit.

#### MOUNTING THE UNIT

Refer to Figure 2.

- Secure unit to structure inside the attic.
- 2" x 4" wall studs may be modified to allow for proper spacing.
- Cover remaining area of louver. (See Figure 3)

**Important:** For every 300 CFM of fan performance, a minimum of one square foot of inlet space is necessary for proper operation. Air inlet area should be located as far from fan location as possible.

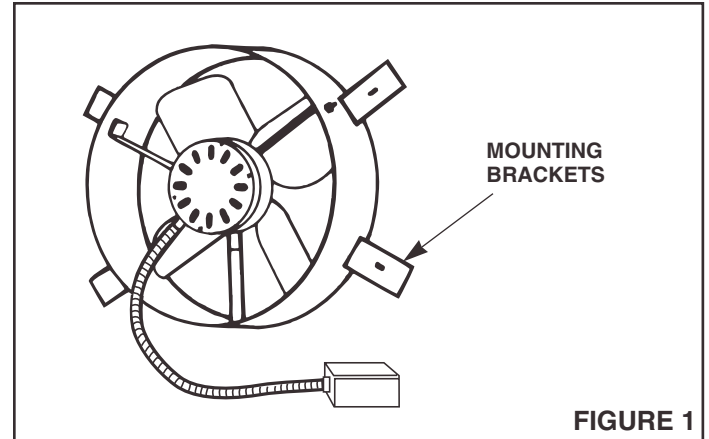


FIGURE 1

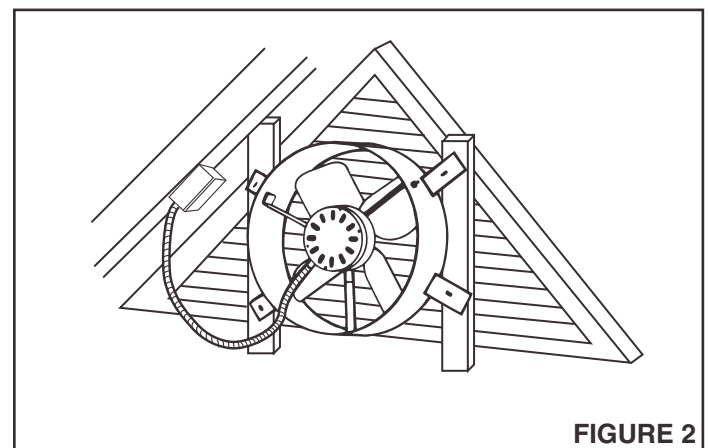


FIGURE 2

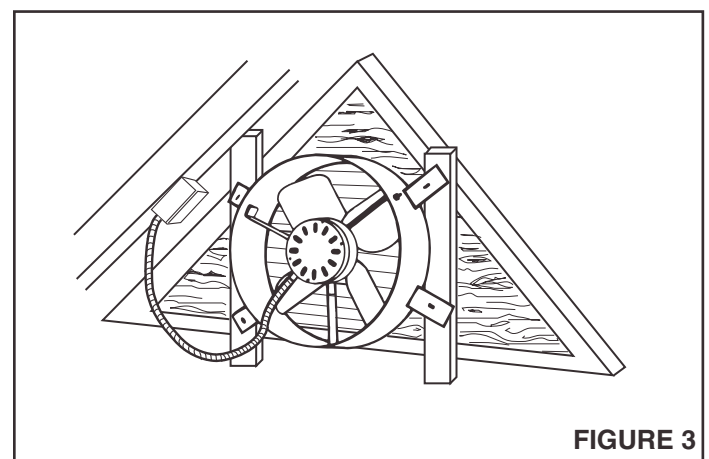


FIGURE 3

#### MOUNTING THE THERMOSTAT

Refer to Figure 2.

Mount the thermostat to a nearby rafter using screws (not provided) through the mounting tabs.

## WIRING THE THERMOSTAT

### Refer to Figure 4.

This fan is designed to run on 120vAC, 60 Hz power only.

**CAUTION:** be sure to shut off electricity before wiring thermostat.

With electricity turned off at the circuit breaker box, wire thermostat as shown in the diagram above. Electrical connections and wiring should be done by a qualified electrician in accordance with all local and national electrical codes.

Set thermostat for desired turn on temperature.

## MAINTENANCE

**CAUTION:** Before cleaning or servicing unit, make sure power is disconnected at service panel. (See important safety instructions on page 1)

At the beginning of each ventilating season, check fan for any debris that may be blocking fan blades, screen, or motor ventilation openings.

To extend motor life, lubricate motor at the beginning of each ventilating season. Oil ports are located on the front and back of the motor. Use 5 or 6 drops of 20W non-detergent motor oil in each port.

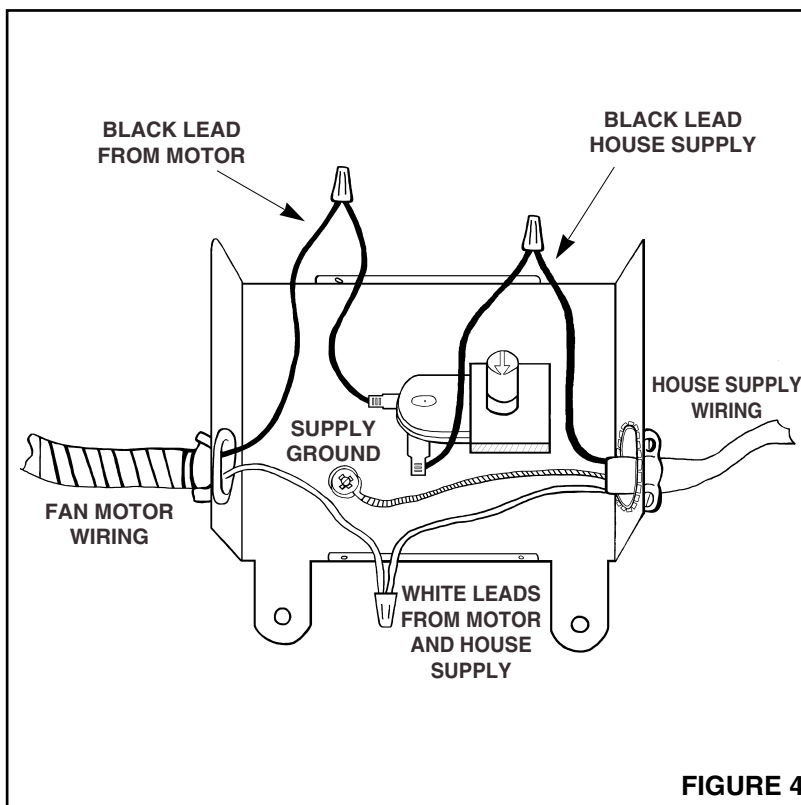


FIGURE 4

# NuTone®

## One Year Limited Warranty

**WARRANTY OWNER:** NuTone warrants to the original consumer purchaser of its products that such products will be free from defects in materials or workmanship for a period of one (1) year from the date of original purchase. **THERE ARE NO OTHER WARRANTIES, EXPRESS OR IMPLIED, INCLUDING, BUT NOT LIMITED TO, IMPLIED WARRANTIES OF MERCHANTABILITY OR FITNESS FOR A PARTICULAR PURPOSE.**

During this one year period, NuTone will, at its option, repair or replace, without charge, any product or part which is found to be defective under normal use and service. THIS WARRANTY DOES NOT EXTEND TO FLUORESCENT LAMP STARTERS OR TUBES, FILTERS, DUCT, ROOF CAPS, WALL CAPS AND OTHER ACCESSORIES FOR DUCTING. This warranty does not cover (a) normal maintenance and service or (b) any products or parts which have been subject to misuse, negligence, accident, improper maintenance or repair (other than by NuTone), faulty installation or installation contrary to recommended installation instructions.

The duration of any implied warranty is limited to the one year period as specified for the express warranty. Some states do not allow limitation on how long an implied warranty lasts, so the above limitation may not apply to you.

**NUTONE'S OBLIGATION TO REPAIR OR REPLACE, AT NUTONE'S OPTION, SHALL BE THE PURCHASER'S SOLE AND EXCLUSIVE REMEDY UNDER THIS WARRANTY. NUTONE SHALL NOT BE LIABLE FOR INCIDENTAL, CONSEQUENTIAL OR SPECIAL DAMAGES ARISING OUT OF OR IN CONNECTION WITH PRODUCT USE OR PERFORMANCE.** Some states do not allow the exclusion or limitation of incidental or consequential damages, so the above limitation or exclusion may not apply to you. This warranty gives you specific legal rights, and you may also have other rights, which vary from state to state. This warranty supersedes all prior warranties.

**WARRANTY SERVICE:** To qualify for warranty service, you must (a) notify NuTone at the address stated below or telephone 1/800-543-8687, (b) give the model number and part identification and (c) describe the nature of any defect in the product or part. At the time of requesting warranty service, you must present evidence of the original purchase date.

Date of Installation

Builder or Installer

Model No. and Product Description

### IF YOU NEED ASSISTANCE OR SERVICE:

For the location of your nearest NuTone Independent Authorized Service Center:

**Residents of the contiguous United States** Dial Free 1-800-543-8687

Please be prepared to provide:

Product model number • Date and Proof of purchase • The nature of the difficulty

**Residents of Alaska or Hawaii should write to:** NuTone Inc. Attn: Department of National Field Service, 4820 Red Bank Road, Cincinnati Ohio 45227-1599.

**Residents of Canada should write to:** Broan-NuTone Canada, 1140 Tristar Drive, Mississauga, Ontario, Canada L5T 1H9.

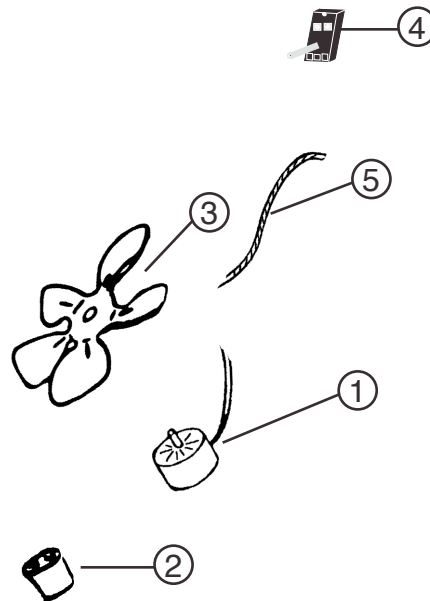
Rev. 03/2001

# NuTone®

Product specifications subject to change without notice.  
4820 Red Bank Road, Cincinnati, Ohio 45227  
Printed in U.S.A., Rev. 4/2001, Part No. 87735

# PARTS LIST

EFFECTIVE DATE	MODEL NUMBER	PRODUCT GROUP
OCTOBER 1998	GF-1200N, GF-900N	GABLE FAN



REF.	ORIGINAL PART NO.	PART DESCRIPTION	MODEL USED ON	CURRENT REPLACEMENT PART NO.
1	87403	MOTOR	GF-900N	<b>87403-000</b>
	87406	MOTOR	GF-1200N	<b>87406-000</b>
2	0419B	CAPACITOR	GF-1200N	<b>0419B-000</b>
3	87401	BLADE	GF-1200N, GF900N	<b>87401-000</b>
4	88007	THERMOSTAT	GF-900N, GF-1200N	<b>88007-000</b>
5	87409	CONDUIT	GF-900N, GF-1200N	<b>87409-000</b>

# NuTone®

NuTone  
 Attn: Parts Department  
 4820 Red Bank Roads  
 Cincinnati, OH 45227-1599  
 Phone: (513) 527-5426  
 Fax: (513) 527-5173

↑

**NOTE: Always order by current part number**

GF-900N, GF-900N I.I.